
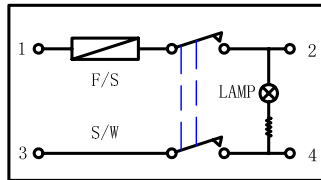




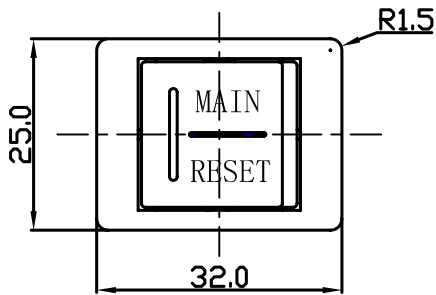
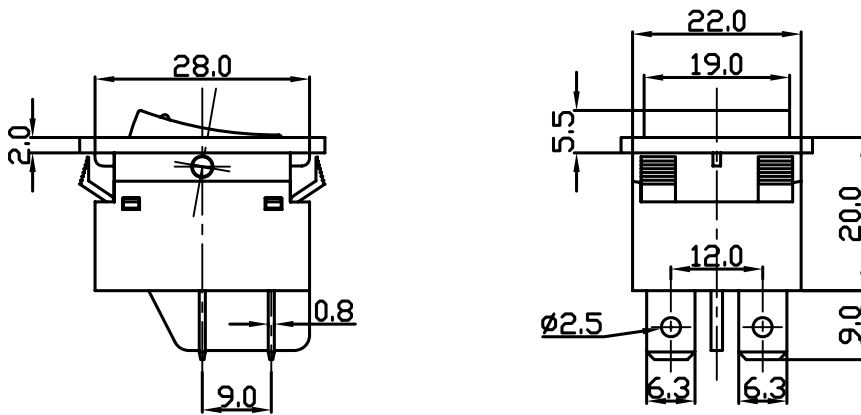
- \* Product Name: Double Pole Rocker Switch With Circuit Protector;
- \* Model No: YST-01
- \* Voltage Resistance: 2000VAC, 1MIN; China, Korean Patent
- \* Operating Temperature: T85
- \* Electrical Life: more than 10,000cycles
- \* Contact Rating: EK: 15A 250VAC

KNOB COLOR	BLACK; RED; GREEN; ORANGE; BLUE; ...
BASE COLOR	GRAY; BLACK; WHITE; ...
KNOB SHAPE	TYPE C: 
Illuminate	YST-01 2P2T 4P

### Wiring Diagram



YST-01 On-Off (Illuminate)



### Panel Installation Size

