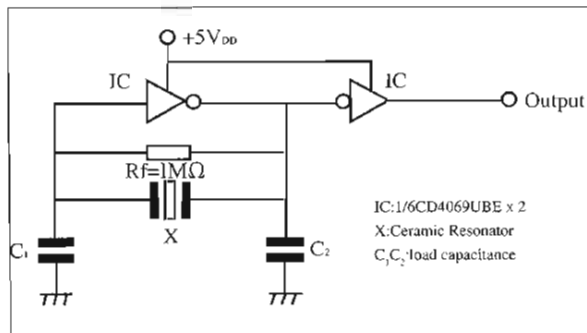




ZTH

Part Number		Frequency Accuracy	Resonant Impedance (Ω)	Stability in temperature (-20-80°C)	Aging for 10 Years	Load capacitance	
Dip type	SMD type					C1	C2
ZTH190-249E	ZTH190-249Y	$\pm 1\text{KHZ}$	≤ 20	$\pm 0.3\%$	$\pm 0.3\%$	330	470
ZTH250-374E	ZTH250-374Y	$\pm 1\text{KHZ}$	≤ 20	$\pm 0.3\%$	$\pm 0.3\%$	220	470
ZTH375-429E	ZTH375-429Y	$\pm 2\text{KHZ}$	≤ 20	$\pm 0.3\%$	$\pm 0.3\%$	120	470
ZTH430-509E	ZTH430-509Y	$\pm 2\text{KHZ}$	≤ 20	$\pm 0.3\%$	$\pm 0.3\%$	100	100
ZTH510-699E	ZTH510-699Y	$\pm 2\text{KHZ}$	≤ 30	$\pm 0.3\%$	$\pm 0.3\%$	100	100
ZTH700-1250E	ZTH700-1250Y	$\pm 0.5\%$	≤ 50	$\pm 0.3\%$	$\pm 0.3\%$	100	100

TEST CIRCUIT



CHARACTERISTICS

